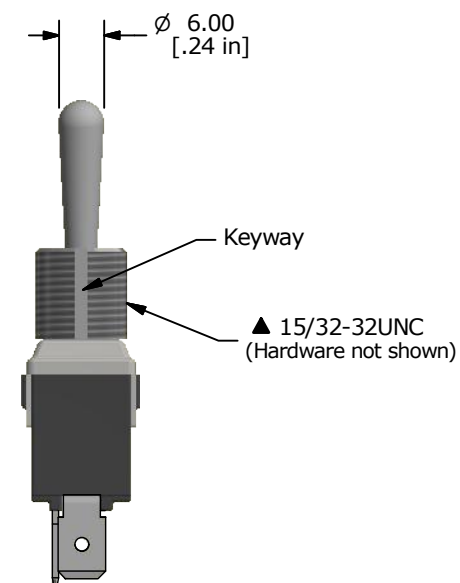
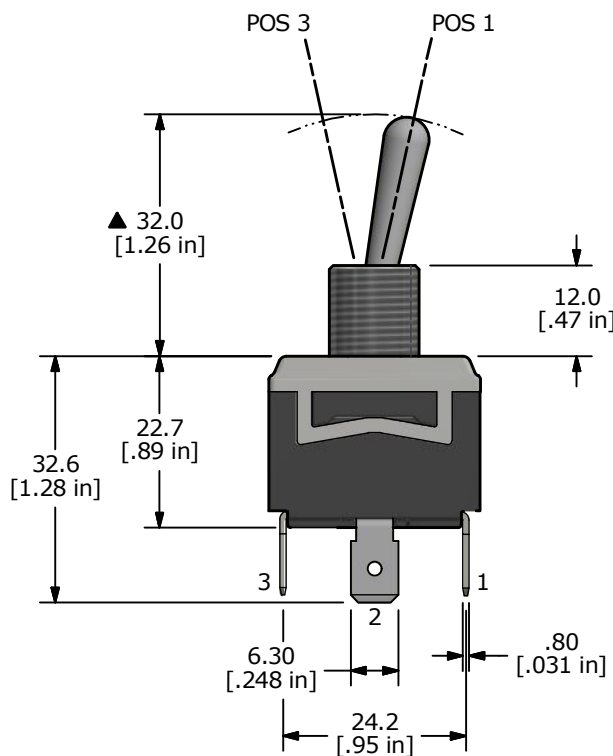


▲ SWITCH FUNCTION		
POS. 1	POS. 2	POS. 3
ON	N/A	ON
2-3	N/A	2-1

NOTES:

1. ALL DIMENSIONS IN MM
2. GENERAL TOLERANCE: X.X = ±0.4
X.XX = ±0.25
3. TERM. NOS. FOR REFERENCE ONLY
4. ELECTRICAL LIFE: 6,000 CYCLES
5. OPERATING TEMP: -20°C to 85°C
6. CONTACT RESISTANCE: 50mΩ MAX. INITIAL
7. INSULATION RESISTANCE: 800MΩ AT 500VDC
8. DIELECTRIC STRENGTH: 1500VAC FOR 1 MINUTE
7. 2011/65/EU (ROHS) COMPLIANT
8. ▲ DENOTES CRITICAL PARAMETER
9. CONTACT RATING: 20A 125VAC,
15A 277VAC
2HP 125/277VAC
cULus (E194579)
- ▲ 10. SUPPLIED HARDWARE: 2 HEXNUTS



A	23976	Initial Release	8/8/19	MW
REV	PCR NO	DESCRIPTION	DATE	BY

TITLE ST143D02				
SCALE 1:1	DATE 7/30/2019	DR MW	DWG 34-ST143D02	REV A

THE INFORMATION CONTAINED IN THIS DOCUMENT IS PROPRIETARY TO E-SWITCH AND IS NOT TO BE COPIED OR TRANSFERRED